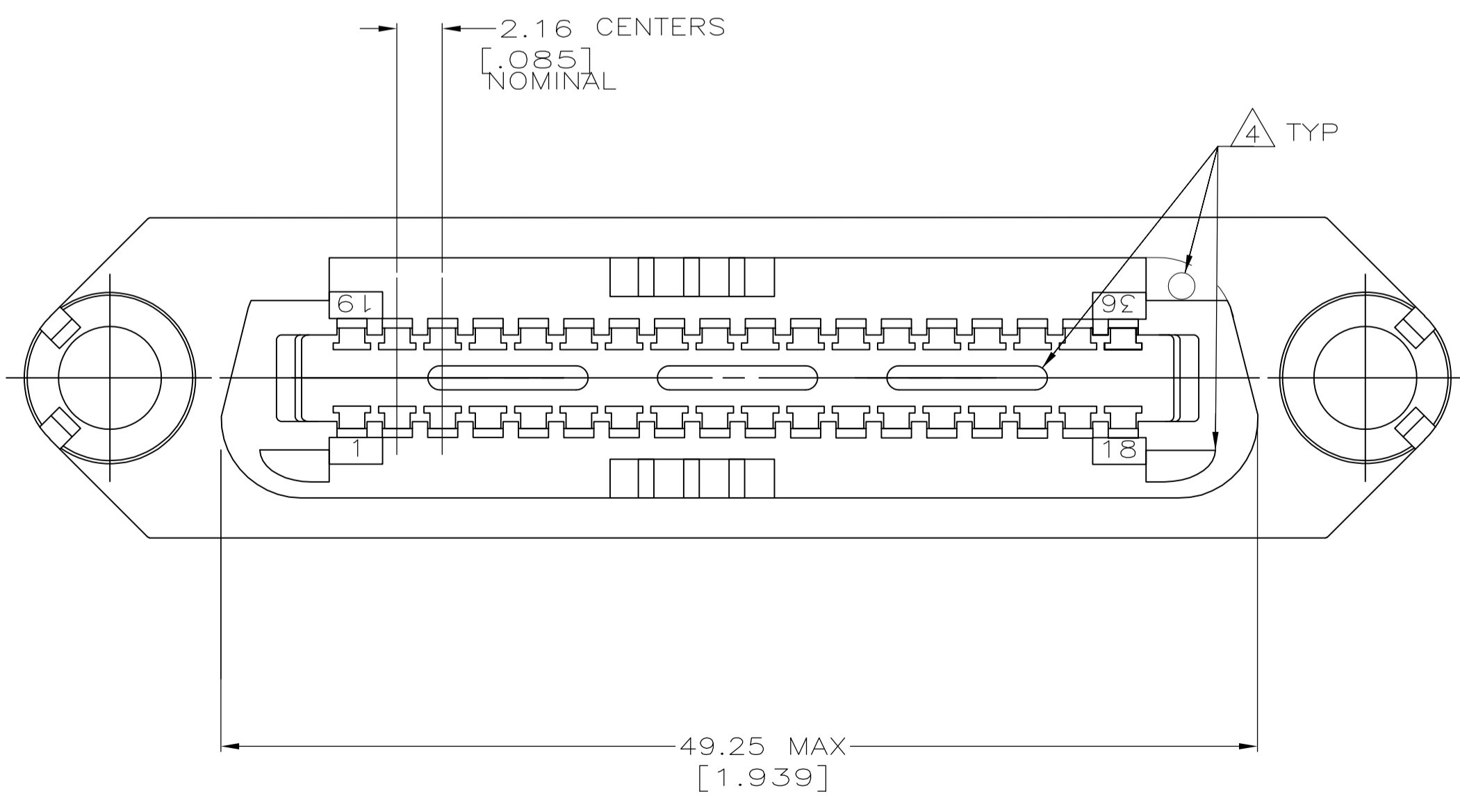
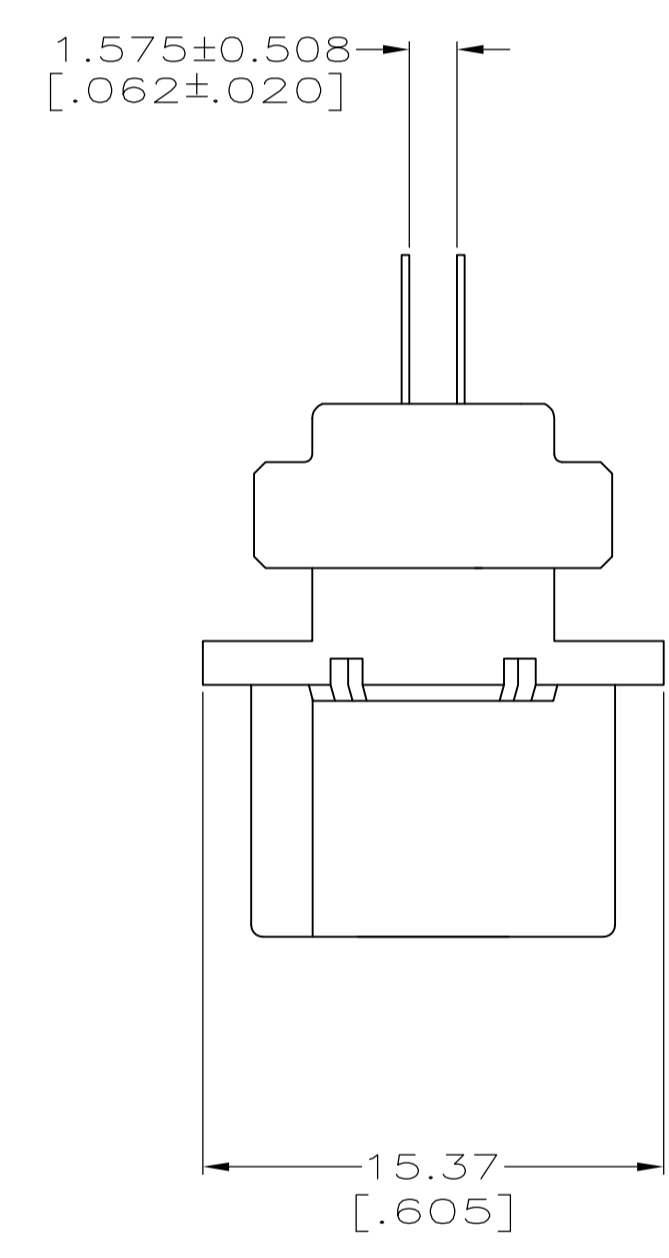
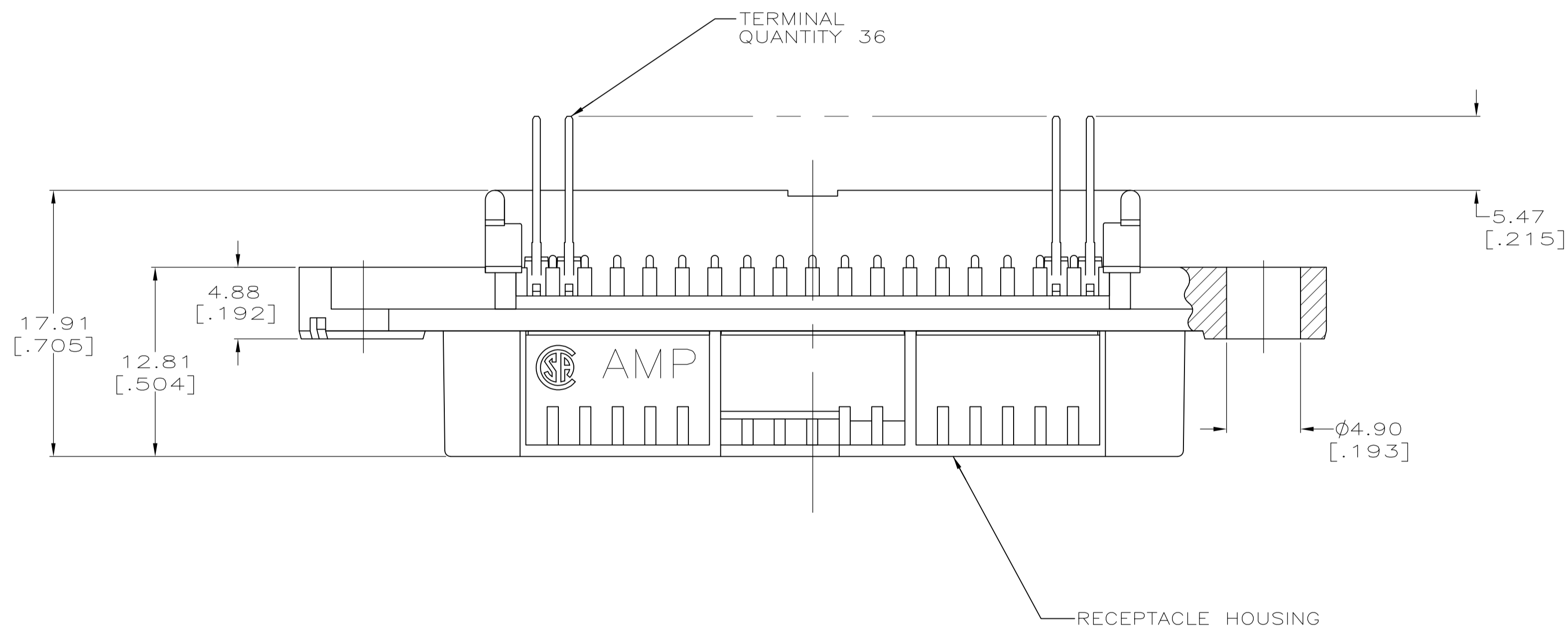
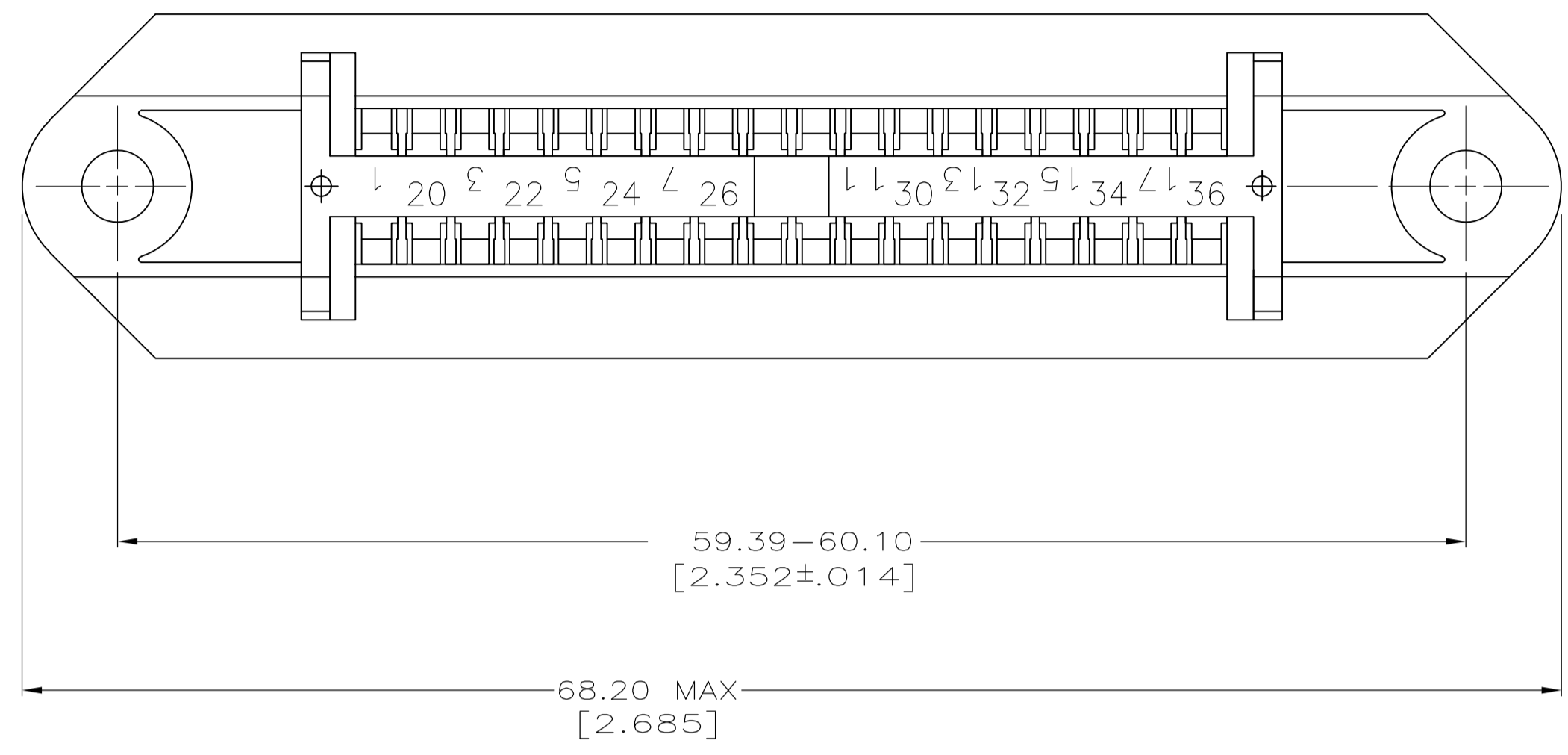


LOC		DIST		REVISIONS			
GP	00	REV	DATE	BY	APPV	DATE	BY
J		REVISED PER ECO-08-007327	22JUL08	BM	WM		

- 1. DIMENSIONS ARE MAXIMUM UNLESS OTHERWISE SPECIFIED.
- 2. THE CONTACT SURFACES OF THE TERMINALS ARE COATED WITH LUBRICANT.
- 3. MATERIAL:
 HOUSING - THERMOPLASTIC, BLACK.
 TERMINAL - PHOSPHOR BRONZE PLATED EITHER WITH .000030 MIN GOLD PLATE OR GOLD FLASH OVER PALLADIUM NICKEL PLATE, 0.76µm [.000030] MIN TOTAL MATING SURFACE. 3.05µm [.000120] MIN MATTE TIN-LEAD PLATE ON TAILS OVER 1.27µm [.000050] MIN NICKEL UNDERPLATE OVER ENTIRE TERMINAL.
- 4. THIS FEATURE IS A CORED AREA AND IS OPTIONAL ON PART.



552241-1
 PART NUMBER

THIS DRAWING IS A CONTROLLED DOCUMENT.		DIN B SIMPSON 7-26-94	Tyco Electronics Corporation	
DIMENSIONS: mm [INCHES]		CHK C. WHITT 10-26-94	Harrisburg, PA 17105-3608	
TOLERANCES UNLESS OTHERWISE SPECIFIED:		APVD J. HARRIS 11-2-94	NAME	
0. PLC ± -	1. △	RECEPTACLE ASSEMBLY, 36 POSITION, EDGE MOUNTING, CHAMP-LOK®		
1. PLC ± -	2. △	APPLICATION SPEC		
2. PLC ± -	3. △	SIZE	CAGE CODE	DRAWING NO
3. PLC ± -	4. △	A1	00779	552241
4. PLC ± -	5. △	WEIGHT	RESTRICTED TO	
ANGLES ± -	6. △	CUSTOMER DRAWING		
MATERIAL		SCALE 4:1		SHEET 1 of 1
FINISH		REV J		